
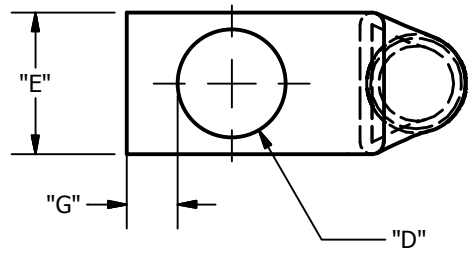
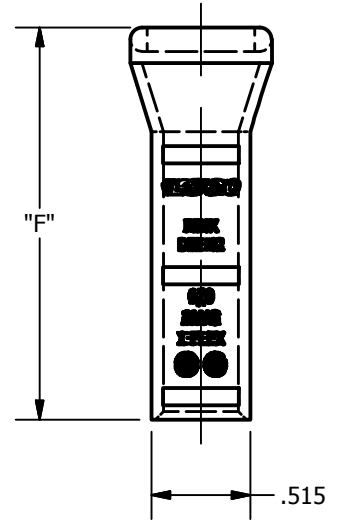
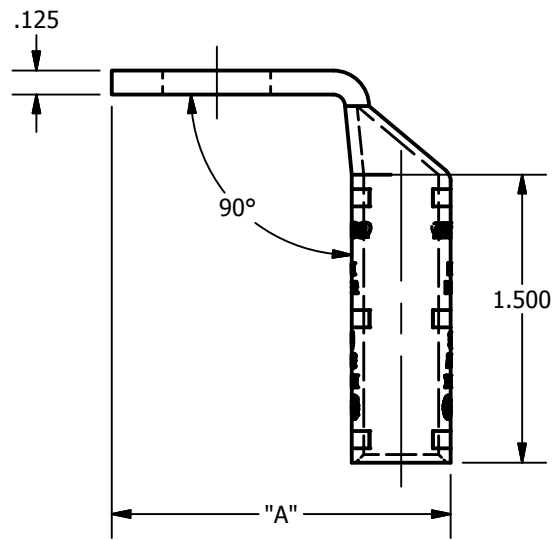


SCREW: NONE	MATERIAL: COPPER	REV: F	 800-776-9775 www.ilSCO.com
CAT. NO.: SEE CHART	PLATING: EL-TIN	DRAWN BY: DW SCALE: NTS	
INFORMATION SHEET: FORM 157	MARKING: SEE CHART	DATE: 6/3/2008 SIZE: B	
			DWG NO: Y0703-S-9
			SHEET: 1 OF 1



DETAIL C  
INK MARK TOP & BOTTOM



CATALOG NUMBER	"A"	"D"	"E"	"F"	"G"	TANG MARKING
CLNB-1/0-10-9	1.192	0.219	0.738	2.043	0.148	
CLNB-1/0-14-9	1.505	0.281	0.738	2.043	0.180	
CLNB-1/0-12-9	1.880	0.562	0.738	2.043	0.265	ILSCO, C-1/0-12-9, 1/0 AWG, 1 FLEX, DIE 42, UL, CSA
CLNB-1/0-34-9	2.317	0.781	0.969	2.043	0.359	
CLNB-1/0-38-9	1.505	0.406	0.738	2.043	0.211	ILSCO, CLNB-1/0-38-9, 1/0 AWG, 1 FLEX, DIE 42, UL, CSA
CLNB-1/0-516-9	1.505	0.343	0.738	2.043	0.180	ILSCO, DIE 42, CLNB-1/0-516-9, 1/0 AWG, 1 FLEX, UL, CSA